

860610238 | Issue 20181002

# SMARTDIRECTOR INSTALLATION

## GENERAL

The smartdirector provides unified management, communication, lighting control and reporting on the smartlighting network platform, and hosts the smartengine API to support external system integration. The smartdirector can support smartengine cluster implementations up to 225,000 SF/2000 smartsensors.

Each smartdirector package includes a smartengine operating system, two server rack-mounting brackets, and power cord for use in United States, Canada, and Mexico. See *Separately Orderable Components* table below for power cords compatible in other regions.

## ORDERING INFORMATION IS LISTED BELOW

Part No.	Description
DIR-1-B	Director



**SMARTDIRECTOR**

## SEPARATELY ORDERABLE COMPONENTS

Verify parts against the parts list below:

Part No.	Description
PC-DIR-AUS	Director power cord for Australia and New Zealand: 10 A, 250 VAC, 2.5m
PC-DIR-BRAZIL	Director power cord for Brazil: 10 A, 250 VAC, 1.8m
PC-DIR-CHINA	Director power cord for China: 10 A, 250 VAC, 2.5m
PC-DIR-DENMARK	Director power cord for Denmark: 10 A, 250 VAC, 2.5m
PC-DIR-EU	Director power cord for Europe: 10 A, 250 VAC, 2.5m
PC-DIR-INDIA	Director power cord for India: 10 A, 250 VAC, 2.5m
PC-DIR-NA	Director power cord for United States, Canada, and Mexico: 10 A, 125 VAC, 6 ft
PC-DIR-SWISS	Director power cord for Switzerland: 10 A, 250 VAC, 2.5m
PC-DIR-UK	Director power cord for United Kingdom, Hong Kong, and Singapore: 10 A, 250 VAC, 2.5m

860610238 | Issue 20181002-October 2018

# SMARTDIRECTOR INSTALLATION

## IMPORTANT

The smartengine, smartdirector, smartgateways, smartsensors, and smartswitches are designed for commercial use only and are not for residential use.

## POWER REQUIREMENTS

- Input Voltage: 100-240 VAC, autoranging
- Power Consumption, maximum: 2x350 W
- Power Frequency: 50/60 Hz

## PREPARATION

1. Procure all the required hardware and accessories:
  - smartdirector appliance
  - Rack-mounting brackets (included)
  - Power cord compatible in region (included, North America power cord, 3m)
  - Ethernet cable
  - Instruction sheet (included)
2. Determine the location for the smartdirector. The smartdirector is a 1U rack mountable appliance and can be installed in a standard server rack using the included mounting brackets.
3. Confirm nearby availability of required power and power cord length is sufficient to reach receptacle.
4. Confirm network switch dedicated to smartengine platform is nearby and Ethernet cable length is sufficient to reach switch port.
5. Ensure ambient operation temperature of 10°C to 35°C (50°F to 95°F) at 10% to 80% relative humidity (RH), with 26°C maximum dew point.

## INSTALLATION

smartdirector is a 1U rack mountable system and can be installed in a standard server rack via supplied tool-free rack-mounting brackets. It connects to the network and manages smartengine clusters via Ethernet.

1. Attach the two rack-mounting brackets to smartdirector appliance and server rack per instructions printed directly on bracket.
2. With power disconnected, install smartdirector in server rack using mounting brackets (included).
3. Connect the Ethernet cable to the smartdirector primary port labeled "Gb1" as shown (Figure 1), and to the network switch dedicated to smartengine platform.
4. Connect the power cord/s to power supply connector on smartdirector as shown (Figure 1), and the power receptacle.
 

The smartdirector will boot up automatically.

FIGURE 1 SMARTDIRECTOR BACK CONNECTIONS

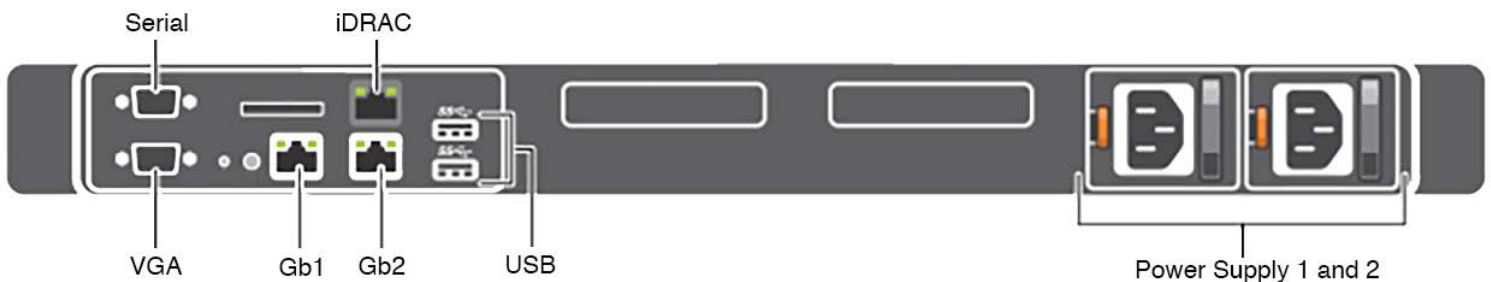


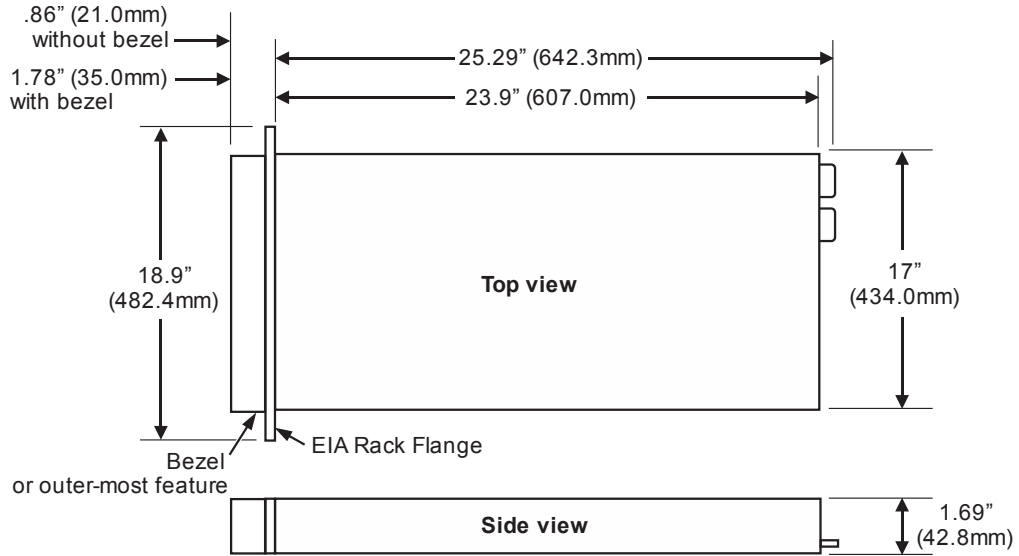
FIGURE 2 SMARTDIRECTOR FRONT



860610238 | Issue 20181002-October 2018

# SMARTDIRECTOR INSTALLATION

**FIGURE 3** DIMENSIONS



**HOW TO CONTACT US**

To find out more about wtec products, visit us on the web at [www.wtec.ag](http://www.wtec.ag)

**FOR TECHNICAL ASSISTANCE:**

- EMEA, contact your local account representative
- An email can also be sent to [go@mymartengine.com](mailto:go@mymartengine.com) for technical support.