

860575810 | Issue 20190722-July 2019

LED SMARTGATEWAY INSTALLATION

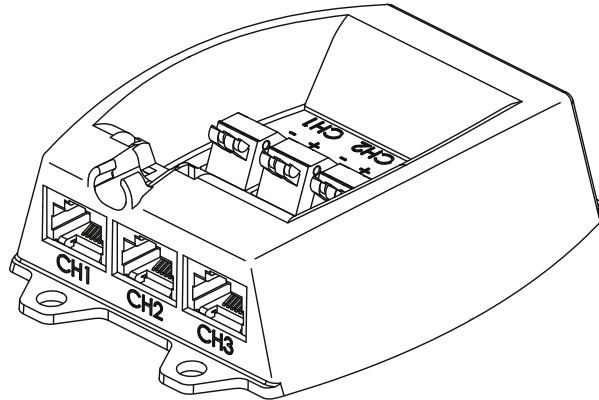
GENERAL

The LED smartgateway controls and dims smartengine ready 3rd party LED fixtures. The smartgateway is installed on or next to each fixture and communicates with and is powered by the smartengine via low-voltage cable. The smartgateway connects to the smartsensor which contains a set of environmental data collectors that detect light level, temperature and motion, transmitting this data back to the smartengine.

The smartgateway accepts standard category 5e, 6 or 6a cable via RJ45 connectors or 18 AWG (1mm) via spring loaded terminal connectors. The smartgateway uses one, two or three "channels" to deliver power from the smartengine to the LED fixture depending on the fixture's wattage requirements. Each channel provides up to 20 watts.

ORDERING INFORMATION IS LISTED BELOW

Part No.	Description
SG-2G-LED-GNEW2350	LED Gateway, two channel 350–700 mA fixture
SG-2G-LED-GNEW3350	LED Gateway, three channel 350–700 mA fixture

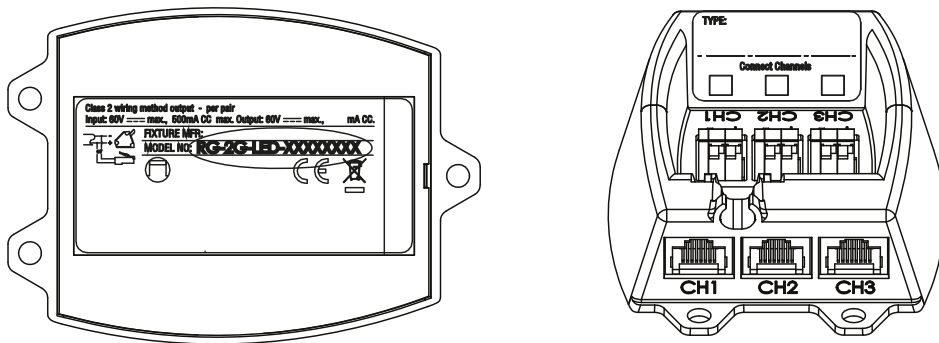


LED SMARTGATEWAY

LED SMARTGATEWAY INSTALLATION

! IMPORTANT

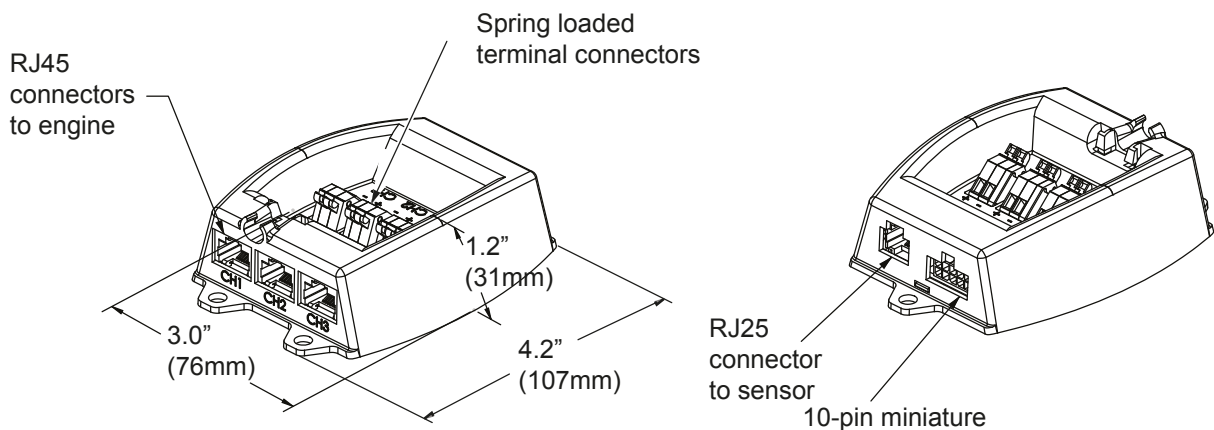
- Do NOT place the gateway in a location where it will get hotter than 50°C.
- The smartsensors have been tested by UL to UL2043 which ensures low smoke-emitting characteristics and suitable fire resistance for equipment that may be installed in environmental air-handling spaces, as described in Article 300.22(c) of the NEC (2008).
- When the product is installed in air-handling spaces, such as above some suspended ceilings, the cabling employed should be suitable under NEC (2008) Article 800.154 and marked accordingly for use in plenums and air-handling spaces with regard to smoke propagation, such as CMP. The products and wiring should be installed in accordance with all applicable local regulations and practices.
- Verify that the supplied RJ25 cable (SG-GL-1M or SG-GL-2M) that came with the smartsensor is used to connect it to the smartgateway.
- Always connect the smartsensor cable to the correct connector on the smartgateway, otherwise the smartsensor could be damaged.
- Connect the channels indicated on the smartgateway, see diagram below.



Location of LED smartgateway model number for fixture installation and channel connection

PREPARATION

1. Determine location for the wall switch and other associated smartengine and fixtures.
2. Run low-voltage 18 AWG (1mm) wire from smartengine to each fixture location.
3. Options for connector preparation:
 - If using 18 AWG (1mm) wiring to connect to the smartengine, strip wire ends to 1/4" (6mm).
 - If using the RJ45 connectors, it can be wired as T568A or T568B, which are straight through or crossover arrangements
4. Install smartengine ready light fixtures according to vendor's installation instructions.



LED SMARTGATEWAY INSTALLATION

INSTALLATION

STEP 1

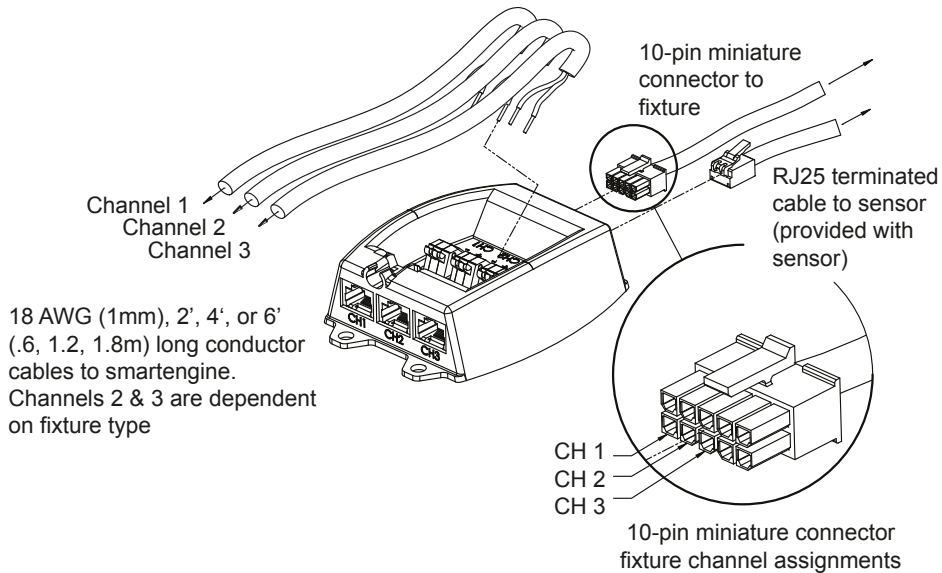
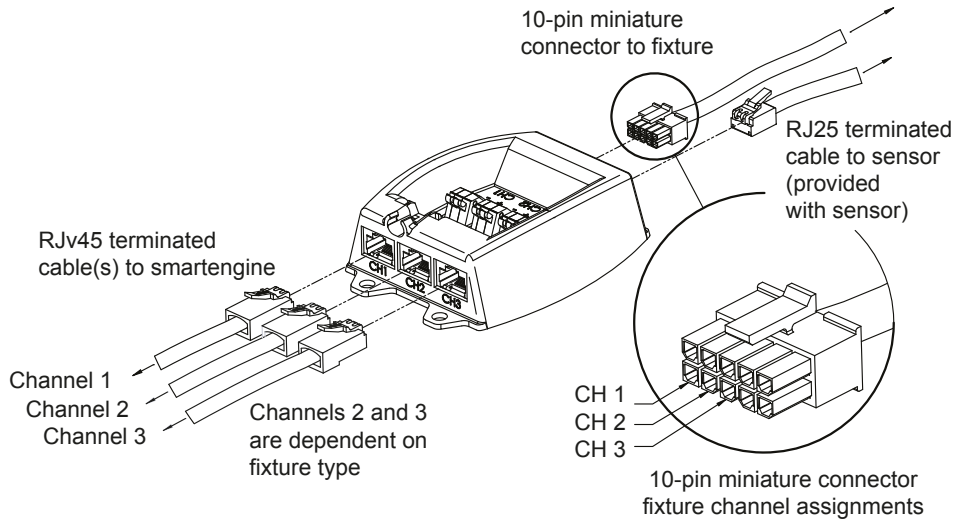
CONNECT SMARTGATEWAY TO SMARTENGINE

FOR CATEGORY CABLING

Connect the LED smartgateway to the smartengine with RJ45 connector(s) for category cabling to each channel. Proceed to Step 2.

FOR 18 AWG (1MM) WIRING

Connect the LED smartgateway to the smartengine using the spring loaded terminal connectors to insert low-voltage 18 AWG (1mm) wiring for each channel. Proceed to Step 2.



860575810 | Issue 20190722-July 2019

LED SMARTGATEWAY INSTALLATION

INSTALLATION

STEP 2

CONNECT SMARTGATEWAY TO SMARTFIXTURE AND SMARTSENSOR

1. Connect the smartfixture to the LED smartgateway using the pre-terminated 10-pin miniature connector.
2. Connect the LED smartgateway to the smartsensor with the RJ25 cable.

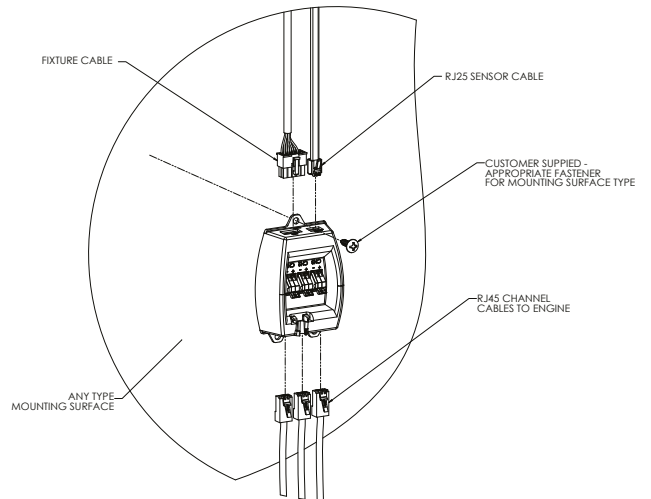
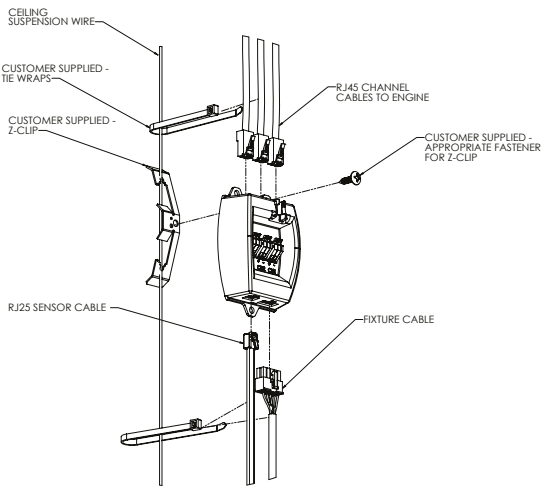
NOTE

smartfixtures often come with connection whips that are 24 inches (610mm). If placing the smartgateways more than 12 inches (305mm) from the edge of a smartfixture, a cable extender will be required to be used with the installation.

STEP 3

MOUNT SMARTGATEWAY

1. The smartgateway should be securely mounted to part of the building structure that does not exceed the mechanical specifications for the smartgateway. Note that the smartgateway must be within 6 feet of the smartsensor.
2. For drop wire mounting, the Caddy® multi-function Z-Clip, Part #170650, Description 4Z34 is recommended. Supports #10-24 and 1/4-20 threaded bridle rings and attaches to #12 wire through 1/4" rod.



HOW TO CONTACT US

To find out more about wtec products, visit us on the web at www.wtec.ag

FOR TECHNICAL ASSISTANCE:

- EMEA, contact your local account representative
- An email can also be sent to smartenginesupport@wtec.ag for technical support.