

860616630 | Issue 201907122-July 2019

SMARTSENSOR POD 1MP-W INSTALLATION

GENERAL

The smartsensor pod 3MP-W collects data on light levels, temperature and motion, and transmits this environmental data through the smartgateway back to the smartengine.

The smartsensor pod 3MP-W must be used with smartengine 3, Model 4834, running 4.0 software or later.

The smartsensor pod is easily installed in the ceiling tile or junction box near the fixture and connects to a smartgateway with a straight-through patch cord.

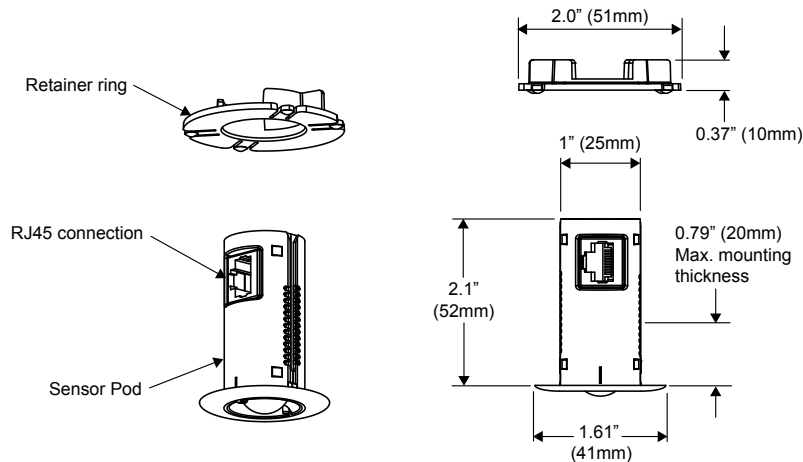
ORDERING INFORMATION IS LISTED BELOW

Part No.	Description
SSEN-1MP-W	Sensor pod



SMARTSENSOR POD 1MP-W

SMARTSENSOR POD COMPONENTS AND DIMENSIONS



860616630 | Issue 201907122-July 2019

SMARTSENSOR POD 1MP-W INSTALLATION

! IMPORTANT

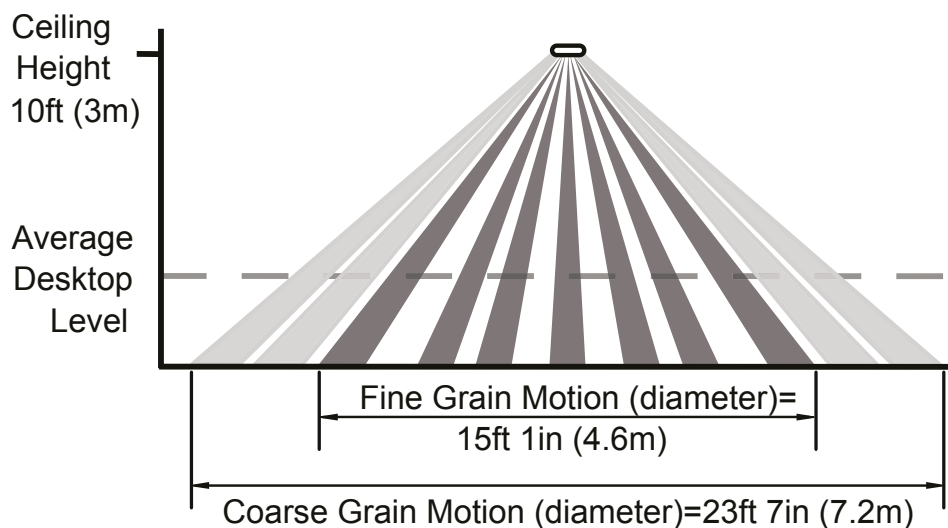
- Be sure the smartsensor pod is clear of any other equipment above the tile.
- The plastic sensor cap should be tight against the ceiling tile.
- The smartsensor pod may be rotated inside the ceiling tile hole, but it must remain perpendicular to the tile.
- It is recommended to not place smartsensor pods near heating vents, AC units, or any other electrically dynamic system.
- The smartsensor pods have been tested by UL to UL2043 which ensure slow smoke-emitting characteristics and suitable fire resistance for equipment that may be installed in environmental air-handling spaces, as described in Article 300.22(c) of the NEC (2008).
- When the product is installed in air-handling spaces, such as above some suspended ceilings, the cabling employed should be suitable under NEC (2008) Article 800.154 and marked accordingly for use in plenums and air-handling spaces with regard to smoke propagation, such as CMP. The products and wiring should be installed in accordance with all applicable local regulations and practices.

PREPARATION

1. The smartsensor pod must be installed within 10 feet (3m) of the smart-gateway and connected with a straight-through patch cord.
2. For a lay-in light fixture (2' x 2', 2' x 4', or 600mm x 600mm), smartsensor pods should be placed in the ceiling tile adjacent to the fixture. For downlights, smartsensor pods can be placed in the same ceiling tile.
3. For a lighting installation, the smartsensor pod that controls the fixture should be placed close to the fixture, preferably within 2" (51mm) in order to obtain accurate light level readings and enact daylight harvesting accurately.
4. Determine where in the ceiling tile the smartsensor pod needs to be installed by referring to the diagram below.

NOTE

The motion coverage pattern of the sensor pod is shown above. The diagram illustrates the expected motion sensing coverage for each sensor pod at a ceiling height of 10 feet (3m).



Fine and Coarse Grain Detection Ranges at Ceiling Height of 10 ft. (3m)

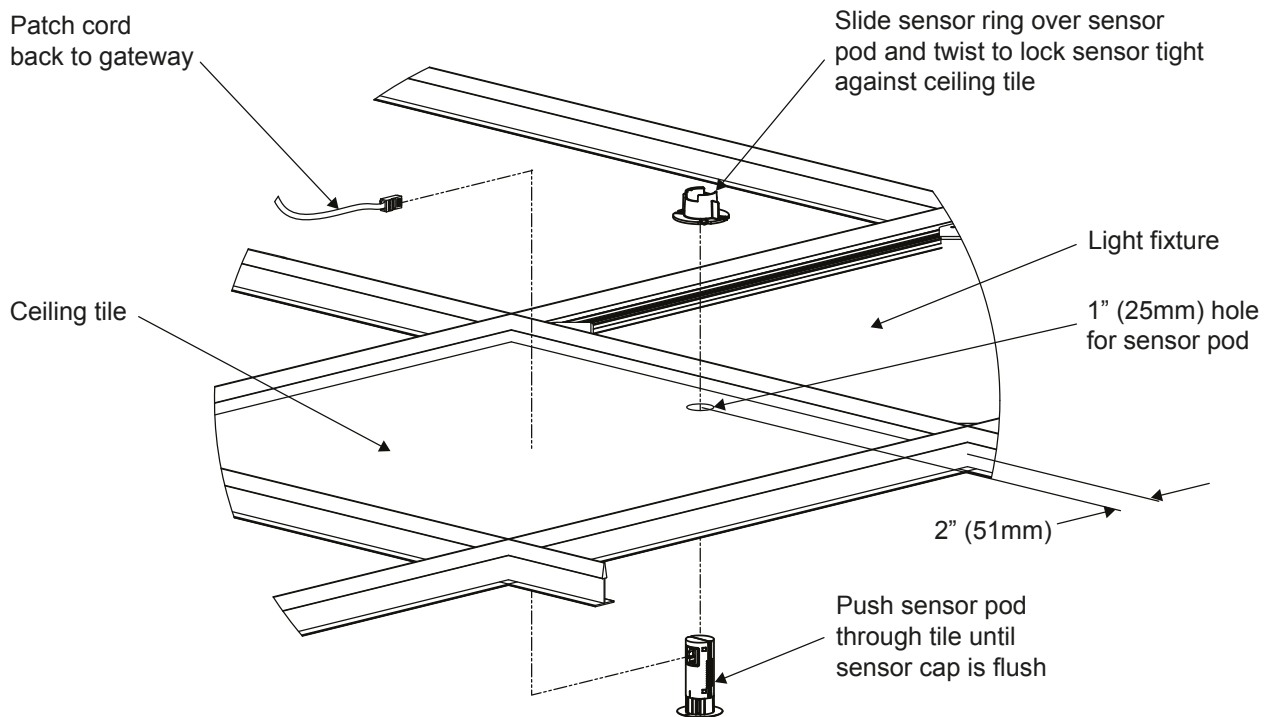
860616630 | Issue 201907122-July 2019

SMARTSENSOR POD 1MP-W INSTALLATION

INSTALLATION

1. Drill a 1" (25mm) diameter hole in the ceiling tile.
2. Carefully push the smartsensor pod through the ceiling tile.
3. Twist and lock the adjusting height sensor pod ring to tighten the smart-sensor pod against the tile.
4. Connect the smartsensor pod to the smartgateway using a straight-through patch cord (10 ft. [3m] maximum length).

FIGURE 1



HOW TO CONTACT US

To find out more about wtec products, visit us on the web at www.wtec.ag

FOR TECHNICAL ASSISTANCE:

- EMEA, contact your local account representative
- An email can also be sent to smartenginesupport@wtec.ag for technical support.