

860594431 | Issue 20190722-July 2019

# LED SMARTSENSOR 3M1-N INSTALLATION

## GENERAL

The LED smartsensor 3M1-N controls and dims a connected smart-engine-ready 3rd party LED fixture, collects data on light levels, temperature and motion, and transmits this environmental data back to the smartengine. The engine powers the smartsensor via low voltage cable.

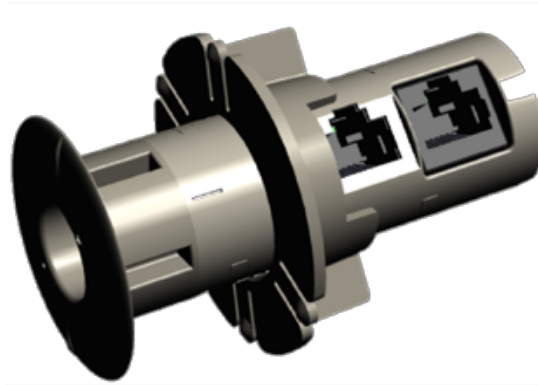
The smartsensor is easily installed in the ceiling tile or junction box near the fixture and accepts standard category 5e, 6 or 6a cable via RJ45 connectors for fixture and data connections.

The smartsensor can also be connected to an electrical light switch with 20 AWG (1mm) wiring via snap-in connectors to enable manual lighting control.

The LED smartsensor 3M1-N must be used with smartengine 3, model 4834 running 3.3 software.

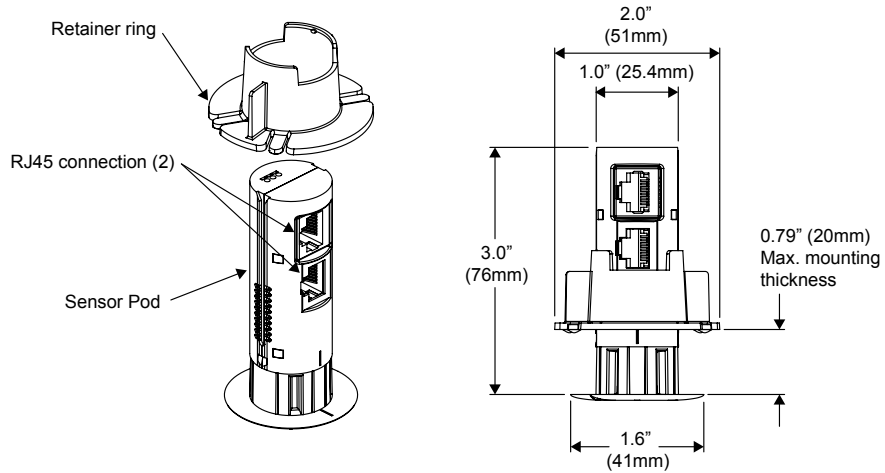
## ORDERING INFORMATION IS LISTED BELOW

Part No.	Description
SSEN-1-N-SENSOR00	LED sensor, sensor only, desk level



LED SMARTSENSOR 1-N

## SMARTSENSOR COMPONENTS AND DIMENSIONS



860594431 | Issue 20190722-July 2019

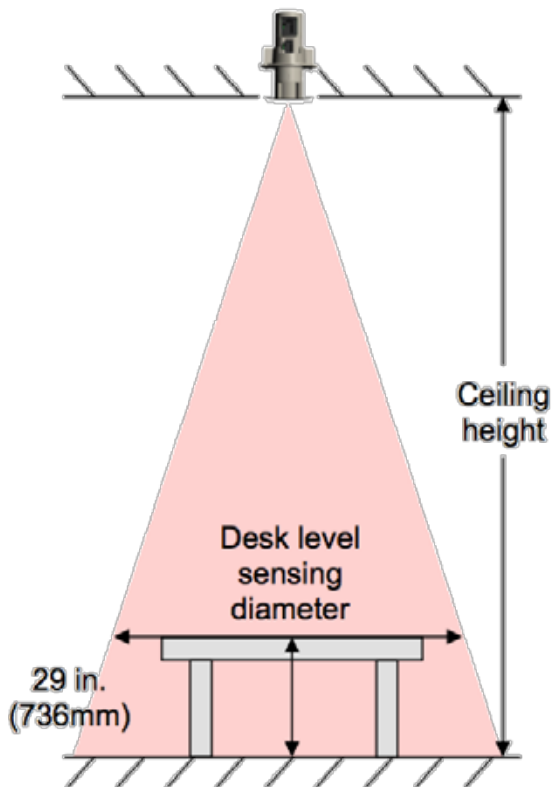
# LED SMARTSENSOR 3M1-N INSTALLATION

## ! IMPORTANT

- Be sure the smartsensor is clear of any other equipment above the tile.
- The plastic sensor cap should be tight against the ceiling tile.
- The smartsensor may be rotated inside the ceiling tile hole, but it must remain perpendicular to the tile.
- It is recommended to not place smartsensors near heating vents, AC units, or any other electrically dynamic system.
- The smartsensors have been tested by UL to UL2043 which ensure slow smoke-emitting characteristics and suitable fire resistance for equipment that may be installed in environmental air-handling spaces, as described in Article 300.22(c) of the NEC (2008).
- When the product is installed in air-handling spaces, such as above some suspended ceilings, the cabling employed should be suitable under NEC (2008) Article 800.154 and marked accordingly for use in plenums and air-handling spaces with regard to smoke propagation, such as CMP. The products and wiring should be installed in accordance with all applicable local regulations and practices.

## PREPARATION

1. For a lay-in light fixture (2' x 2', 2' x 4', or 600mm x 600mm), smartsensors should be placed in the ceiling tile adjacent to the fixture.  
  
For down-lights, smartsensors can be placed in the same ceiling tile. Fixtures come with attached RJ45 plugs and wires. The wire length may limit the distance of the smartsensor from the fixture.
2. smartsensors should be placed close to the fixture, preferably within 2" (51mm) in order to obtain accurate light level readings and enact daylight harvesting accurately.
3. Determine where in the ceiling tile the smartsensor needs to be installed by referring to the diagram below.



Ceiling height	Desk level sensing diameter
8 ft. (2.4m)	4 ft. 8 in. (1.4m)
9 ft. (2.7m)	5 ft. 3 in. (1.6m)
10 ft. (3.0m)	5 ft. 10 in. (1.8m)
11 ft. (3.3m)	6 ft. 5 in. (2.0m)
12 ft. (3.6m)	7 ft. 0 in. (2.1m)

Preparation continued on page 3 >>>

860594431 | Issue 20190722-July 2019

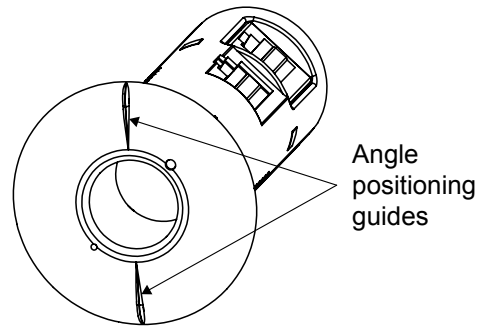
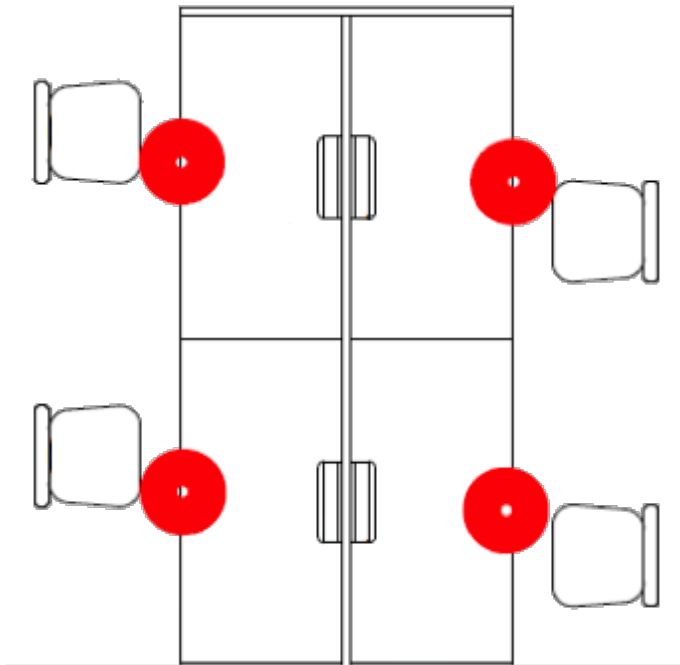
# LED SMARTSENSOR 3M1-N INSTALLATION

## PREPARATION

- For placement over desk areas, the smartsensor should be located directly above where the occupant will be seated in between the desk and the chair within a 1 ft. (305mm) radius as shown below.
- In addition, the smartsensor must be rotated so that the angle positioning guides on the sensor cap are aligned with the edge of the desk. See detail below.

## NOTE

The motion coverage pattern of the smartsensor is shown above. These assume that a smartsensor is installed in a ceiling that is 8 to 12 feet (2.4 to 3.6m) in height. The diagram illustrates the expected motion sensing coverage for each smartsensor.



860594431 | Issue 20190722-July 2019

# LED SMARTSENSOR 3M1-N INSTALLATION

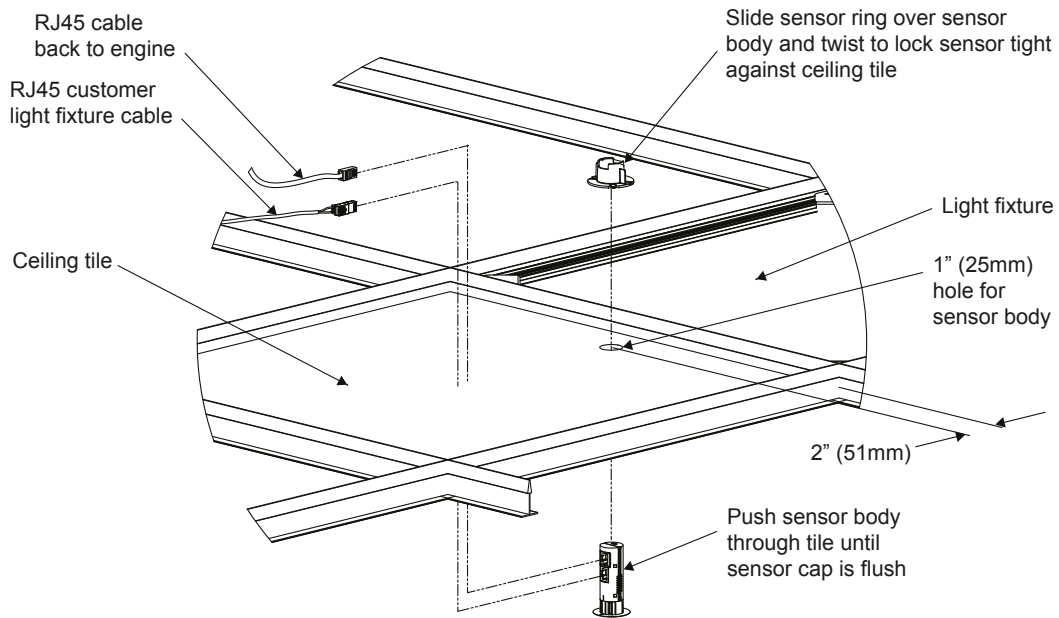
## INSTALLATION

1. Within 2" (51mm) of the fixture, drill a 1" (25mm) diameter hole in the ceiling tile.
2. Carefully push the smartsensor through the ceiling tile.
3. Rotate smartsensor to the correct position/angle.
4. Twist and lock the adjusting height sensor ring to tighten the smart-sensor against the tile.
5. Connect the fixture to the smartsensor by way of the white RJ45 jack.
6. Connect the black RJ45 jack from the smartsensor to the smartengine using category cable.

## NOTE

For placement over desk areas, the sensor motion sensitivity should be configured to the high setting during the commissioning process.

FIGURE 1



860594431 | Issue 20190722-July 2019

# LED SMARTSENSOR 3M1-N INSTALLATION

## OPTIONAL STEP – CONNECT SMARTSENSOR TO LIGHT SWITCH

### NOTE

The smartsensor may be connected to a single-pole, single-throw (SPST) light switch using 20 AWG (1mm) wire. When connected to an individual smart-sensor in a designated room, the switch will control all the light fixtures in that room manually.

**Important:** This is not an option for the smartdimmer or scene control wall smartswitch.

### PREPARATION

1. Determine location for the wall smartswitch and associated smart-sensor.
2. Run two low-voltage 20 AWG (1mm) cables from sensor to wall smart-switch location.
3. Strip 1/4" (6mm) of insulation from the end.
4. Cut or use an existing standard-sized wall plate opening for a NEMA standard, OTS electrical switch box with an open back.

### NOTE

It is recommended to use jacketed 20/2 solid core bell wire for this application.

### INSTALLATION

1. With the light switch in the ON position, run 20 AWG (1mm) cable from the light smartswitch to Port C on the smartsensor and the remaining end to either Port A or Port B.
2. Install the faceplate on the smartswitch.

### HOW TO CONTACT US

To find out more about wtec products, visit us on the web at [www.wtec.ag](http://www.wtec.ag)

### FOR TECHNICAL ASSISTANCE:

- Live technical support for wtec products is available Monday through Friday from 8 AM to 5 PM (PST), excluding holidays.
- EMEA, contact your local account representative
- An email can also be sent to [smartenginesupport@wtec.ag](mailto:smartenginesupport@wtec.ag) for technical support.