

200-250VAC OR 277VAC SMARTENGINE CONNECTION TO BE SPECIFIED PRIOR TO ORDER. VERIFY PLUG TYPE PRIOR TO INSTALLATION (SEE TABLE 1 BELOW).

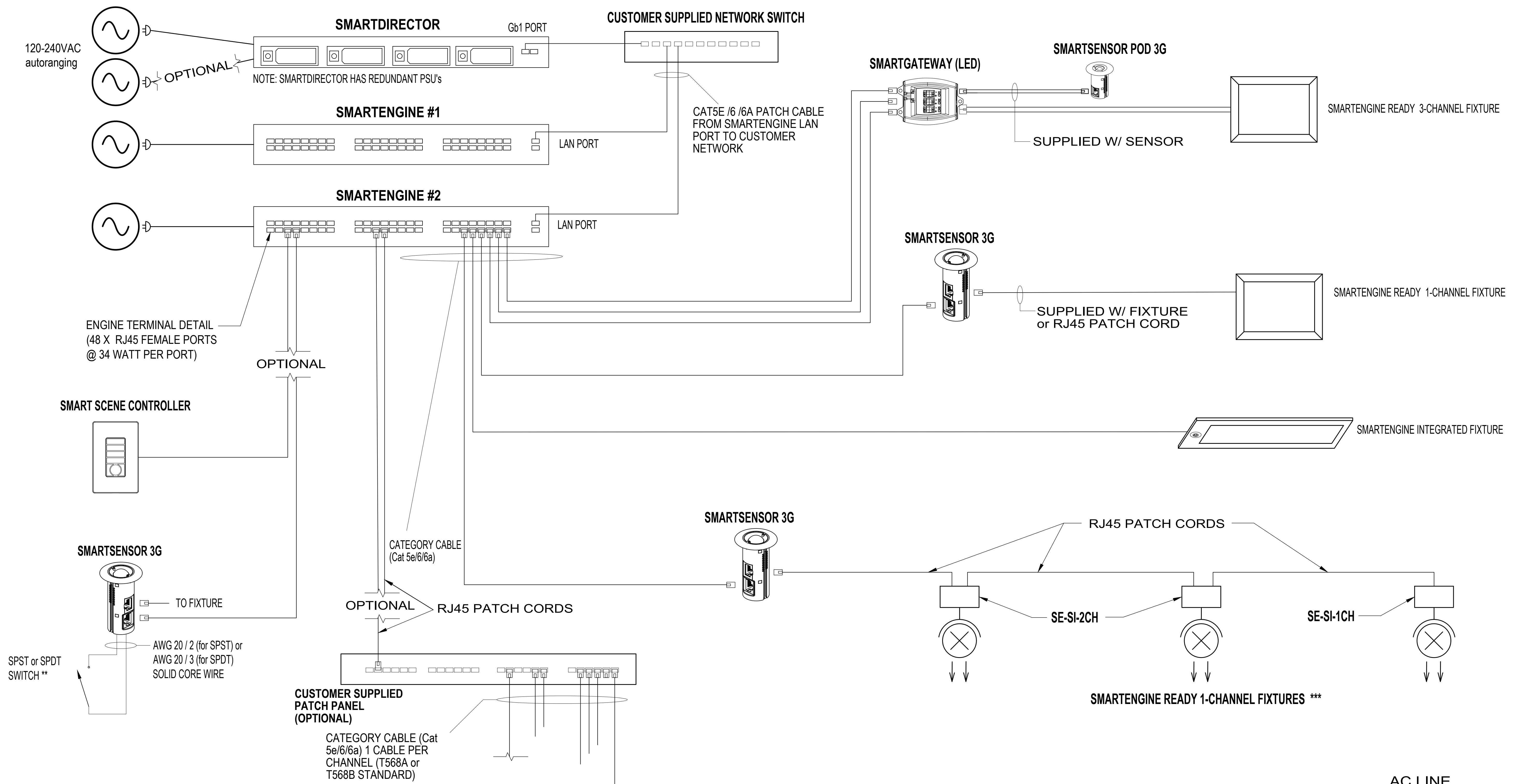
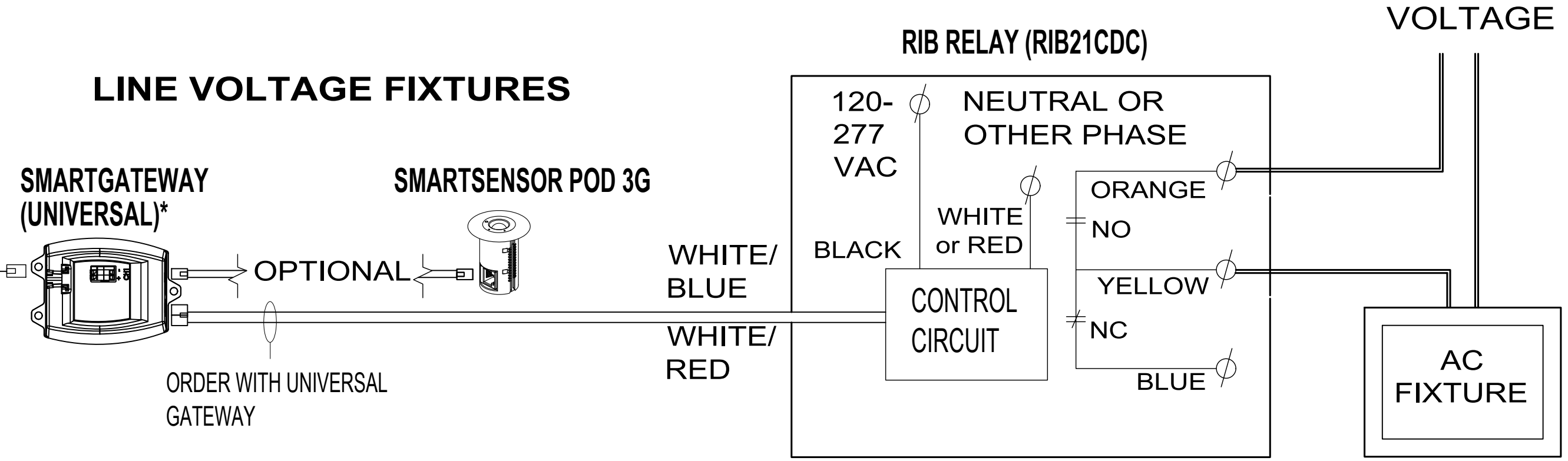
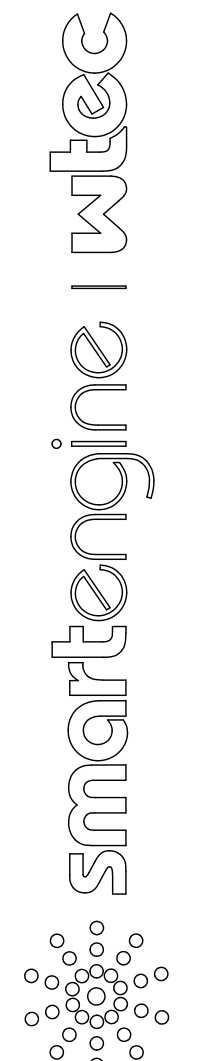


Table 1						
POWER CORD SELECTION *(Device output)	SMARTDIRECTOR 100-250V *(IEC320-C13)		SMARTENGINE 200-250V *(IEC320-C19)		SMARTENGINE 277V *(IEC320-C19)	
Region	Part Number	End Connection	Part Number	End Connection	Part Number	End Connection
North America	Inc.	NEMA 5-15P	6-20P to C19 250V POWER CORD	NEMA 6-20P	Inc.	NEMA L7-15P
Europe		CEE 7/7 European Schuko		CEE-7/7 European Schuko	-	-
Australia & NZ		AS/NZS 4417 Australia		AS/NZS 4417 Australia	-	-
Brazil		NBR 14136 Brazil		NBR 14136 Brazil	-	-
China		GB 15934-2008 China		GB 15934-2008 China	-	-
Denmark		SRAF 1962/DB 16/87 Danish		SRAF 1962/DB 16/87 Danish	-	-
Switzerland		SEV 1011 Swiss		SEV 1011 Swiss	-	-
UK, Hong Kong, Singapore		BS 1363 UK10		BS 1363 UK10	-	-

* Programmed for specific application
 ** Please see specific wiring diagram, available seperately.
 *** To be determined by the project specifier.



SMARTENGINE SOLUTION SINGLE-LINE DIAGRAM



THE INFORMATION CONTAINED IN THIS DRAWING IS CONFIDENTIAL AND THE SOLE PROPERTY OF wtec GmbH. ITS CONTENTS MAY NOT BE DISCLOSED OR REPRODUCED, IN PART OR AS A WHOLE, WITHOUT PRIOR WRITTEN PERMISSION OF wtec GmbH.

DRAWN BY	RELEASE NO.
EJD	1.2
SCALE	DATE
NA	09/30/20
SHEET NO.	
SE-SL01A	