

SWC-5B-SEN smartengine IAQ Wall controller



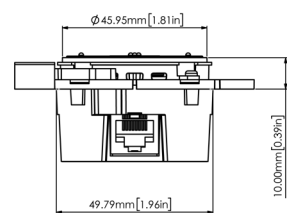
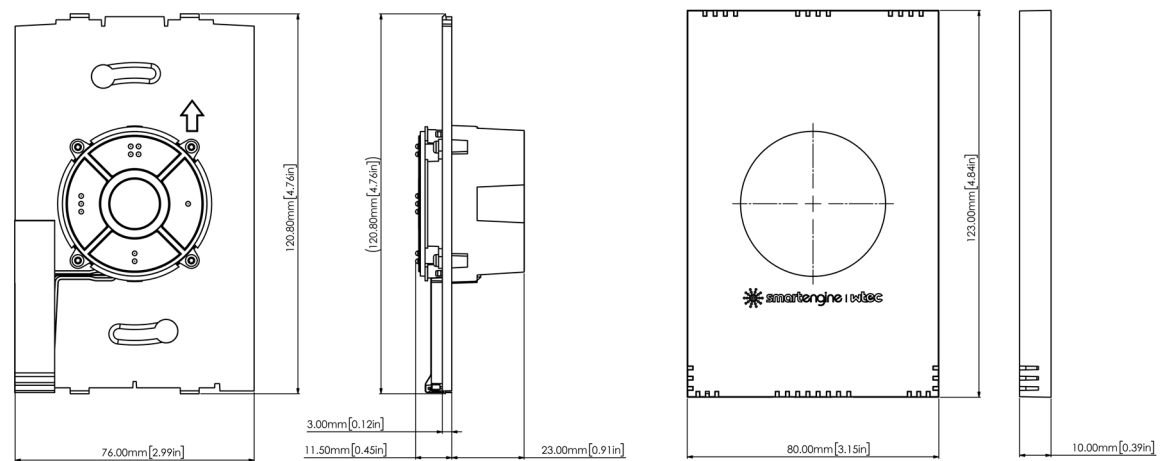
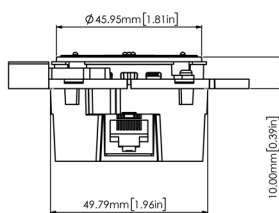
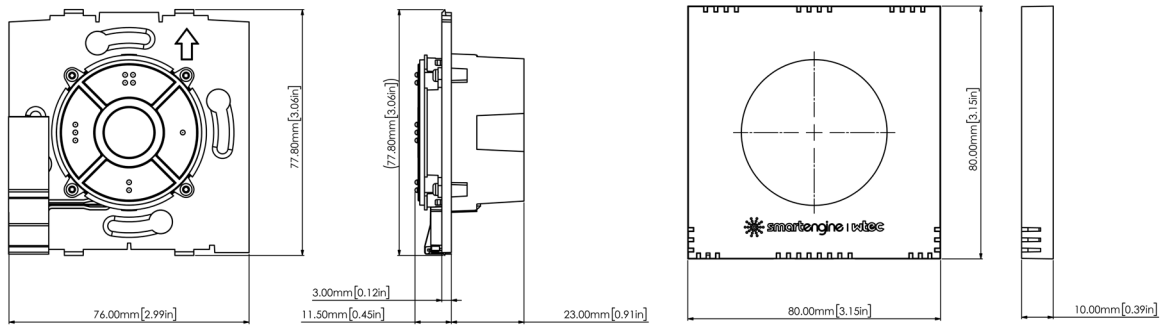
GENERAL SPECIFICATIONS

Product Type	Wall controller
Application	Dims, controls and selects pre-set scenes for LED fixture groups in a location, integrated sensor detects indoor air quality data
IAQ Data Points	Indoor Air Quality (0-500) CO ₂ Equivalent (PPM) VOC Equivalent (PPM) Temperature (F/C) Air Pressure (Pa) Humidity (%)
Includes	5-button configuration
Form	North American Single Gang European Single Gang
Mount Type	Flush
Mount Note	Mounts to NA or EU standard single or multi-gang electric box with open back Mounts to standard Decora style insert, snap-on surround faceplate Can not go in to a multi-gang box
Package Quantity	1

SWC-5B-SEN

smartengine IAQ Wall controller

DIMENSIONS



SWC-5B-SEN

smartengine IAQ Wall controller

MECHANICAL SPECIFICATIONS

smartengine Connector Interface	One channel via dedicated 18 AWG 2-conductor unshielded cable with field-terminated TRM-RJ45-XX or T568A straight-through with RJ45 or T568B crossover with RJ45
Material Type	High-impact, flame retardant, thermoplastic

ORDERING INFORMATION

Product	Form
<u>SWC-5B-SEN</u>	_____
	NA - North America EU - Europe

ELECTRICAL SPECIFICATIONS

ANSI/TIA Category	5e 6 6A
Power Consumpt. stby., max.	500 mW

ENVIRONMENTAL SPECIFICATIONS

Environmental Space	Indoor
Flammability Rating	UL 94 V-2 (faceplate) UL 94-HB (back plate)
Operating Humidity	10% - 80%, non-condensing
Operating Temperature	0°C to +50°C (+32°F to +122°F)
Storage Humidity	5% - 95%, non-condensing
Storage Temperature	-20°C to +70°C (-4°F to +158°F)

SAFETY STANDARD

Safety	AS/NZS CISPR 22 c-UL-us CE CEC Title 24-2008 IEC 60950 UL 60950 UL 924 UL-us US FCC Part 15, Class A
---------------	--

REGULATORY COMPLIANCE/CERTIFICATIONS

Agency	Classification
RoHS 2011/65/EU	Compliant

