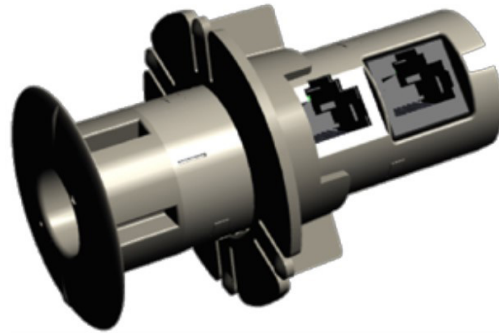


## SSEN-2-N

### smartengine LED Sensor, Narrow Cone, Beacon



## GENERAL SPECIFICATIONS

<b>Brand</b>	wtec
<b>Product Type</b>	smartsensor
<b>Application</b>	Controls a connected LED fixture and collects light level, temperature, motion data via a narrow cone   Generate and detect beacons in iBeacon format   Typical use of this smartsensor is for desk level motion
<b>Data Ports, qty</b>	1 to LED fixture   1 to smartengine
<b>Color</b>	White   Black
<b>Mount Type</b>	Ceiling   fixture
<b>Package Quantity</b>	1
<b>Registration number</b>	FCC ID 2BAE-SSEN2   IC 30107-SSEN2

## DIMENSIONS

<b>Height</b>	82.55 mm   3.25 in
<b>Inner Diameter</b>	25.40 mm   1.0 in
<b>Outer Diameter</b>	40.64 mm   1.60 in
<b>Weight</b>	0.031 kg   0.068 lb

## PIR SPECIFICATIONS

<b>Coverage, Desk Level Motion (diameter)</b>	5ft 10in (1.8m) Mounting Height 10ft (3m)
<b>Motion Sensitivity Options</b>	Disabled, Low, Normal or High

## SSEN-2-N

### smartengine LED Sensor, Beacon

#### MECHANICAL SPECIFICATIONS

smartengine Connector	1 qty
smartengine Connector Interface	RJ45
Fixture Connector	1 qty
Fixture Connector Interface	RJ45
Material Type	Plastic

#### ORDERING INFORMATION

Product	Color	PID
SSEN-2-N	W- White E- Black	SENSOR00 (sensor only) GNEW1150 (150-349mA) GNEW1350 (350-499mA) GNEW1500 (500-700mA) Custom (consult factory)

#### ELECTRICAL SPECIFICATIONS

ANSI/TIA Category	5e   6   6A
Power Consumption, max.	10 mW
Power Consumpt. stby., max.	500 mW

## SSEN-2-N

### smartengine LED Sensor, Beacon

#### ENVIRONMENTAL SPECIFICATIONS

Ambient Temp. Sensor Range	0°C to +100°C (+32°F to +212°F)
Amb. Temp. Sensor Tolerance	±1 °C (1.8 °F)
Environmental Space	Indoor   Plenum
Operating Humidity	10% - 80%, non-condensing
Operating Temperature	0°C to +50°C (+32°F to +122°F)
Storage Humidity	5% - 95%, non-condensing
Storage Temperature	-20°C to +60°C (-4°F to +140°F)

#### SAFETY STANDARD

Safety	c-UL-us   UL 8750   UL 60950-1   CAN/CSA 22.2   NEC Article 725 Clas 2   TUV   IEC 62368-1   CE   BIS
Electromagnetic Emissions	FCC Part 15 Class A   EN 55032 (CISPR 32)   AS/NZS CISPR 32   CE
Important FCC Compliance Information for Device Operation	This device complies with part 15 of the FCC Rules. Operation is subject to the following two conditions: (1) This device may not cause harmful interference, and (2) this device must accept any interference received, including interference that may cause undesired operation.Changes or modifications not expressly approved by wtec GmbH could void the user’s authority to operate the equipment.
Compliance with ISED’s Licence-Exempt RSS	This device contains licence-exempt transmitter(s)/receiver(s) that comply with Innovation, Science and Economic Development Canada’s licence-exempt RSS(s). Operation is subject to the following two conditions: (1) this device may not cause interference, and (2) this device must accept any interference, including interference that may cause undesired operation of the device.

#### REGULATORY COMPLIANCE/CERTIFICATIONS

Agency	Classification
RoHS 2011/65/EU	Compliant

