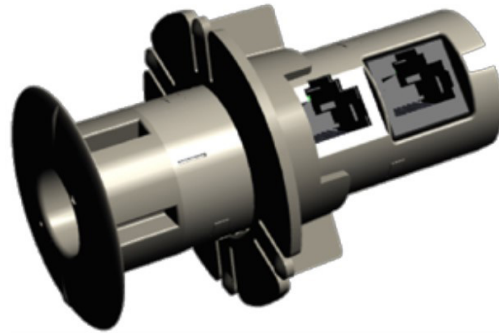


SSEN-2-N

smartengine LED Sensor, Narrow Cone, Beacon



GENERAL SPECIFICATIONS

Brand	wtec
Product Type	smartsensor with beacon
Application	Controls a connected LED fixture and collects light level, temperature, motion data via a narrow cone Generate and detect beacons in iBeacon format Typical use of this smartsensor is for desk level motion
Data Ports, qty	1 to LED fixture 1 to smartengine
Color	White Black
Mount Type	Ceiling fixture
Package Quantity	1
Registration number	FCC ID 2BAE8-SSEN2 IC 30107-SSEN2

DIMENSIONS

Height	82.55 mm 3.25 in
Inner Diameter	25.40 mm 1.0 in
Outer Diameter	40.64 mm 1.60 in
Weight	0.031 kg 0.068 lb

PIR SPECIFICATIONS

Coverage, Desk Level Motion (diameter)	5ft 10in (1.8m) Mounting Height 10ft (3m)
Motion Sensitivity Options	Disabled, Low, Normal or High

SSEN-2-N

smartengine LED Sensor, Beacon

MECHANICAL SPECIFICATIONS

smartengine Connector	1 qty
smartengine Connector Interface	RJ45
Fixture Connector	1 qty
Fixture Connector Interface	RJ45
Material Type	Plastic

ORDERING INFORMATION

Product	Color	PID
SSEN-2-N	W- White E- Black	SENSOR00 (sensor only) GNEW1150 (150-349mA) GNEW1350 (350-499mA) GNEW1500 (500-700mA) Custom (consult factory)

ELECTRICAL SPECIFICATIONS

ANSI/TIA Category	5e 6 6A
Power Consumption, max.	10 mW
Power Consumpt. stby., max.	500 mW

SSEN-2-N

smartengine LED Sensor, Beacon

ENVIRONMENTAL SPECIFICATIONS

Ambient Temp. Sensor Range	0°C to +100°C (+32°F to +212°F)
Amb. Temp. Sensor Tolerance	±1 °C (1.8 °F)
Environmental Space	Indoor Plenum
Operating Humidity	10% - 80%, non-condensing
Operating Temperature	0°C to +50°C (+32°F to +122°F)
Storage Humidity	5% - 95%, non-condensing
Storage Temperature	-20°C to +60°C (-4°F to +140°F)

SAFETY STANDARD

Safety	c-UL-us UL 8750 UL 60950-1 CAN/CSA 22.2 NEC Article 725 Clas 2 TUV IEC 62368-1 CE BIS
Electromagnetic Emissions	FCC Part 15 Class A EN 55032 (CISPR 32) AS/NZS CISPR 32 CE
Important FCC Compliance Information for Device Operation	This device complies with part 15 of the FCC Rules. Operation is subject to the following two conditions: (1) This device may not cause harmful interference, and (2) this device must accept any interference received, including interference that may cause undesired operation. Changes or modifications not expressly approved by wtec GmbH could void the user's authority to operate the equipment.
Compliance with ISED's Licence-Exempt RSS	This device contains licence-exempt transmitter(s)/receiver(s) that comply with Innovation, Science and Economic Development Canada's licence-exempt RSS(s). Operation is subject to the following two conditions: (1) this device may not cause interference, and (2) this device must accept any interference, including interference that may cause undesired operation of the device.

REGULATORY COMPLIANCE/CERTIFICATIONS

Agency	Classification
RoHS 2011/65/EU	Compliant

